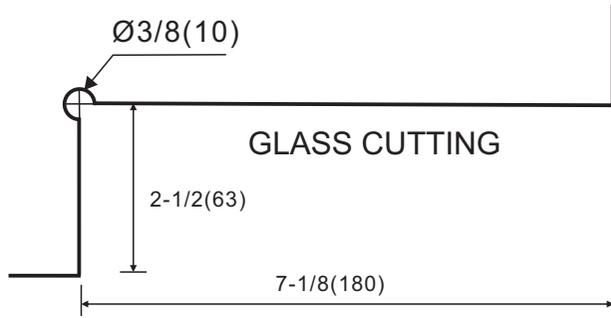
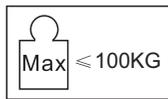
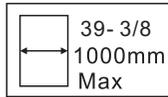
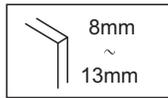
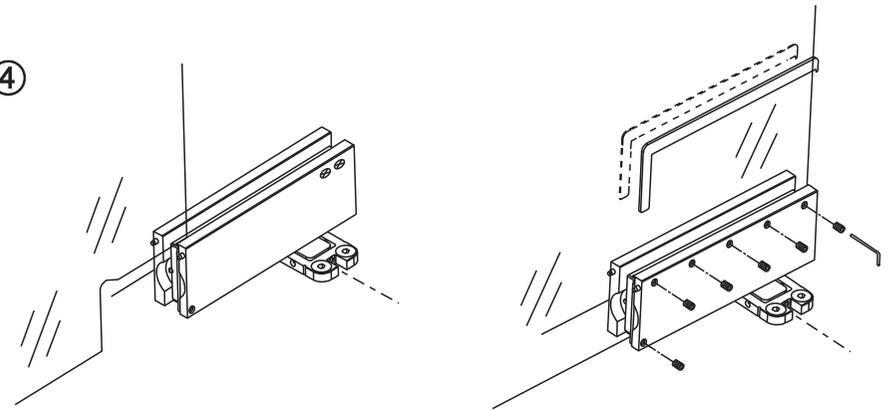


Hydraulic Patch Install Guide

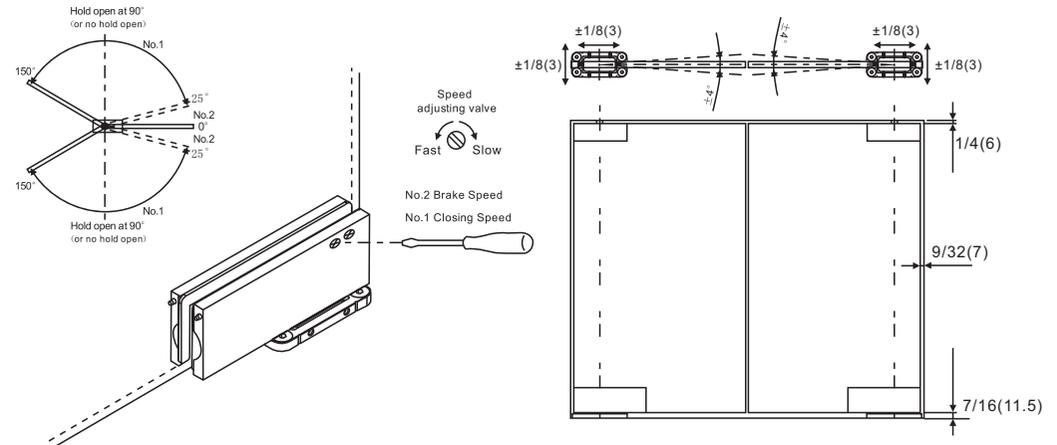
①



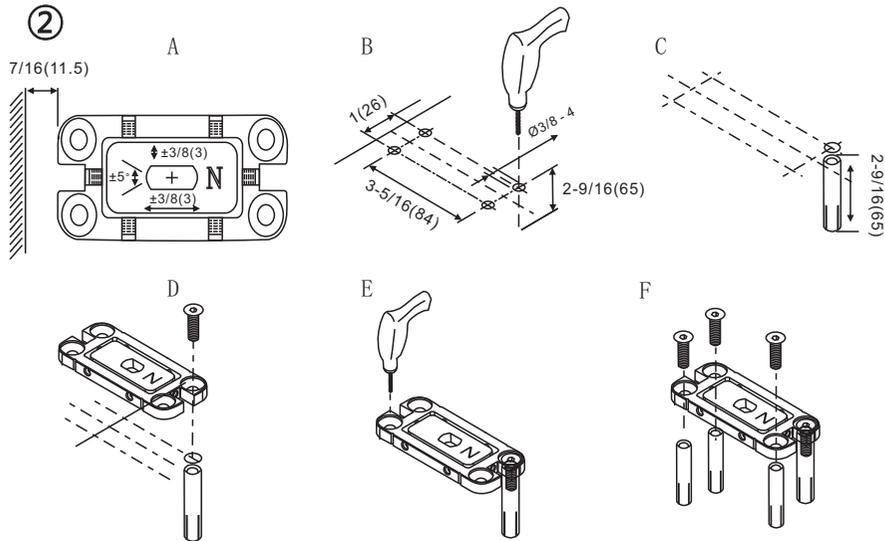
④



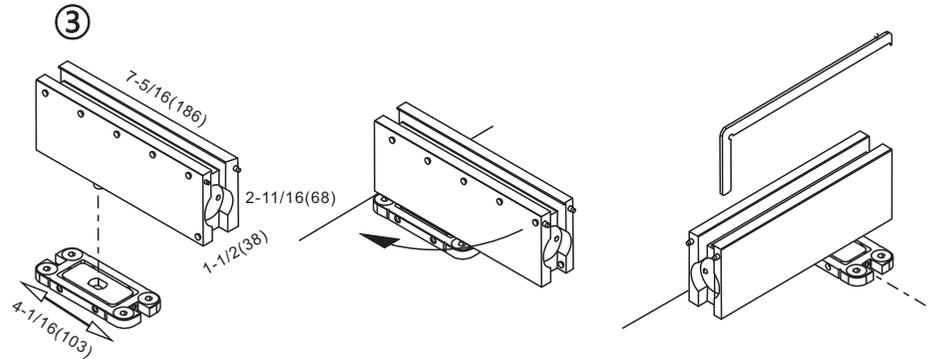
⑤



②



③



⑥

